

The power behind your lights



www.prolitetrans.com



Model: JLV-12060KB Size: 148.6\*102.4\*48mm



#### Brief Information

**Powermax™**  
Technology Inside

# 60W

### Rainproof Power Supply (C.V.)

Model JLV-12060KB

Input 170~250V AC

Output 12V DC 5A 60W

#### Product Features

- Rainproof, big wattage for outdoor use
- High transfer efficiency
- Wide input range
- Stable constant voltage output
- 100% full loading, 100% burn-in tested
- Overload/short circuit protection

#### MAIN ELECTRICAL DATA

#### AC Input

|                   |                 |
|-------------------|-----------------|
| Input Voltage     | 170~250V        |
| Input Frequency   | 50/60Hz         |
| Efficiency (Typ.) | 83%             |
| Input Current     | 230V: 0.5A max. |
| Inrush Current    | 40A             |
| Leakage Current   | 5mA/230VAC      |

#### DC Output

|                       |               |
|-----------------------|---------------|
| Output Voltage        | 12V           |
| Rated Current         | 5A            |
| Rated Power           | 60W           |
| Ripple & Noise (Max.) | <200mVp-p     |
| Setup, Rise Time      | 1500ms/230VAC |
| Line Regulation       | 2%            |
| Load Regulation       | 2%            |

### Service Environment

|                  |            |
|------------------|------------|
| Working Temp.    | -25°C~50°C |
| Working Humidity | 20~90%RH   |
| Storage Temp.    | -40°C~80°C |
| Storage Humidity | 10~95%RH   |

### Protection

|               |   |
|---------------|---|
| Overload      | Yes, active when loading is over 110~120%<br>Output Voltage drops if overloaded |
| Short Circuit | Yes, hiccup mode, recovers automatically<br>after fault condition is removed    |

### Safety

|                      |   |
|----------------------|---|
| Safety Standard      | EN 61347-2-13                                 |
| Withstand Voltage    | I/P-O/P: 2500VAC/1min/<5mA                    |
| Isolation Resistance | I/P-O/P: >100M Ohms / 500VDC<br>/25°C / 70%RH |

### Packaging Information

|                     |                  |
|---------------------|------------------|
| Product Dimension   | 148.6*102.4*48mm |
| Products Net Weight | 300G             |
| PCS/Carton(QTY)     | 20 PCS           |
| Master Carton Size  | 34*29.5*24cm     |
| G. Weight/ Carton   | 7KG              |

#### Installation Tips:

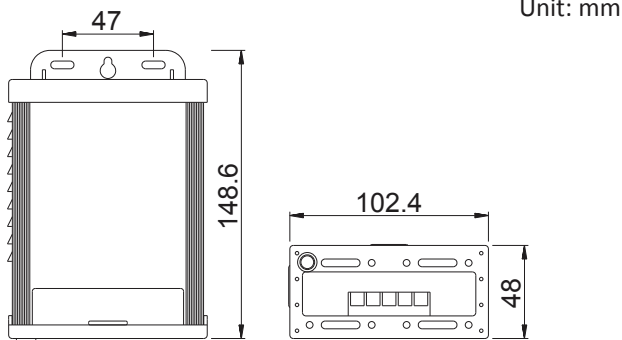
- Please identify the power supply's input and output before installation.
- Ensure correct output + & - wire connection.
- Power on after wire connection is done.
- To avoid voltage drop and loading capacity wasting on the output extension wire, please install the power supply to the loading as near as possible, if must use long extension wires, thicker wires and less loading wattage is required.
- The power supply to be installed at good ventilation and cooling environment.

The power behind your lights



www.prolitetrans.com

## Physical Drawing



Brief Information

**Powermax™**  
Technology Inside

**60W**

**Waterproof Power Supply (C.V.)**

Model JLV-12060KB

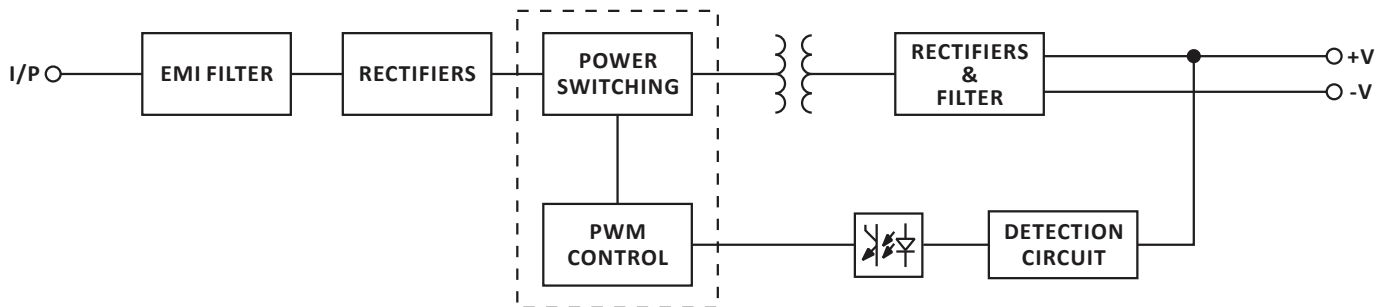
Input 170~250V AC

Output 12V DC 5A 60W

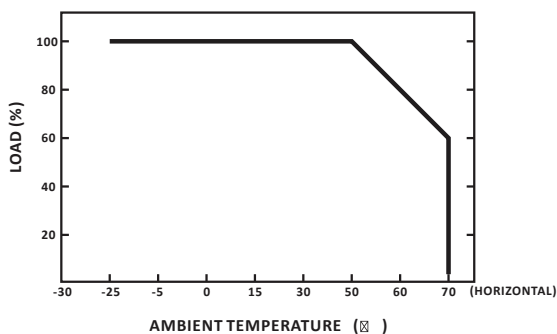
Input & Output:  
HB-825-5 Screw Terminals With Cover  
inflaming retarding

Housing: Aluminium

## Block Diagram



## Derating Curve



## Static Characteristics

