

The power behind your lights



www.prolitetrans.com



Model: JLV-12200KB      Size: 219\*103\*48mm



Brief Information

**Powermax™**  
Technology Inside

**200W**

**Rainproof Power Supply (C.V.)**

Model JLV-12200KB  
Input 170~250V AC  
Output 12V DC 16.67A 200W

Product Features

- Rainproof, big wattage for outdoor use
- High transfer efficiency
- Wide input range
- Stable constant voltage output
- 100% full loading, 100% burn-in tested
- Overload/short circuit protection

**MAIN  
ELECTRICAL  
DATA**

**AC Input**

Input Voltage	170~250V
Input Frequency	50/60Hz
Efficiency (Typ.)	83%
Input Current	230V: 1.6A max.
Inrush Current	40A
Leakage Current	5mA/230VAC

**DC Output**

Output Voltage	12V
Rated Current	16.67A
Rated Power	200W
Ripple & Noise (Max.)	<100mVp-p
Setup, Rise Time	1500ms/230VAC
Line Regulation	1%
Load Regulation	2%

**Service Environment**

Working Temp.	-25°C~50°C
Working Humidity	20~90%RH
Storage Temp.	-40°C~80°C
Storage Humidity	10~95%RH

**Protection**

Overload	Yes, Cut-off mode Output shuts down if over-loaded
Short Circuit	Yes, output shut down, recovers automatically after fault condition is removed

**Safety**

Safety Standard	EN 61347-2-13
Withstand Voltage	I/P-O/P: 3000VAC/1min/<5mA
Isolation Resistance	I/P-O/P: >100M Ohms / 500VDC /25°C / 70%RH

**Packaging Information**

Product Dimension	219*103*48mm
Products Net Weight	580G
PCS/Carton(QTY)	20 PCS
Master Carton Size	49*30*24cm
G. Weight/ Carton	13KG

**Installation Tips:**

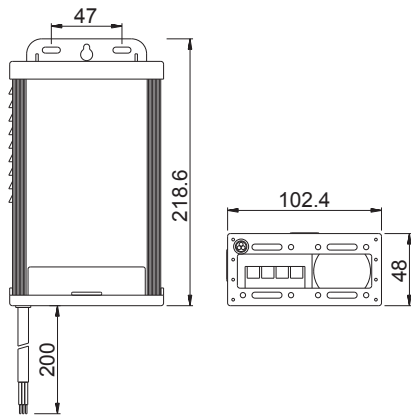
- Please identify the power supply's input and output before installation.
- Ensure correct output + & - wire connection.
- Power on after wire connection is done.
- To avoid voltage drop and loading capacity wasting on the output extension wire, please install the power supply to the loading as near as possible, if must use long extension wires, thicker wires and less loading wattage is required.
- The power supply to be installed at good ventilation and cooling environment.

The power behind your lights



www.prolitetrans.com

## Physical Drawing



Unit: mm

Brief Information

**Powermax™**  
Technology Inside

# 200W

**Rainproof Power Supply (C.V.)**

Model JLV-12200KB

Input 170~250V AC

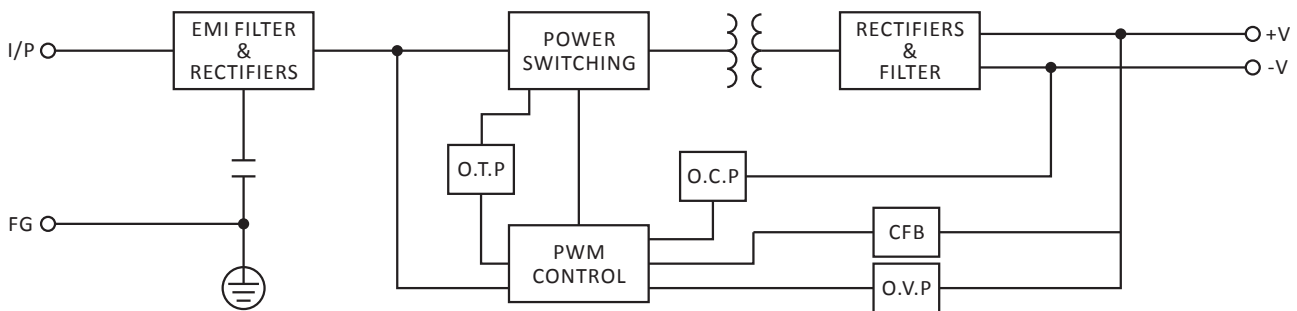
Output 12V DC 16.67A 200W

Input: 3x0.75mm<sup>2</sup> wire, Brown L, Blue N  
200mm length

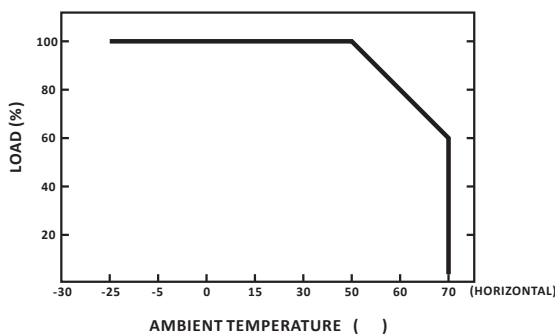
Output: 9500-4P Screw Terminals  
inflaming retarding

Housing: Aluminium

## Block Diagram



## Derating Curve



## Static Characteristics

