



200W



250W



300W



350W



400W

■ Features:

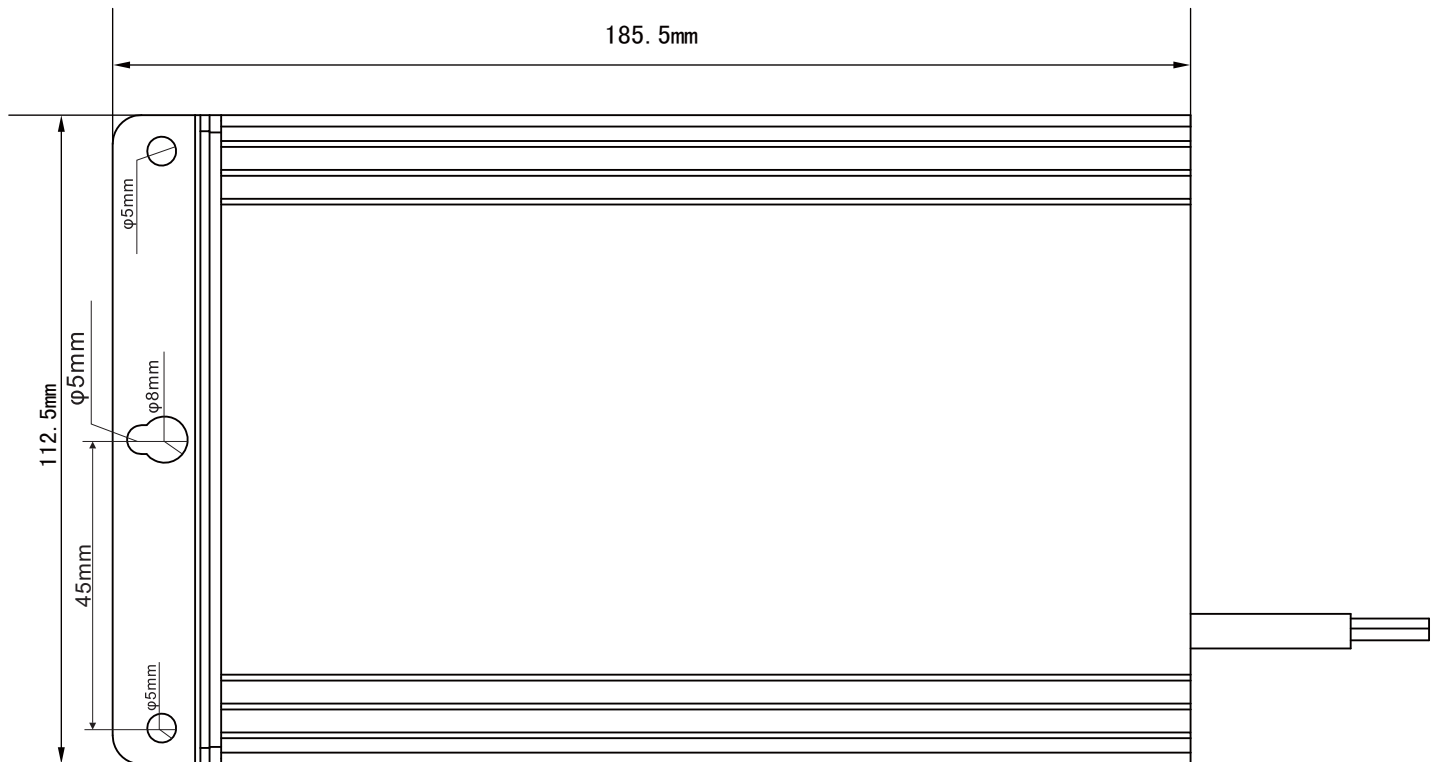
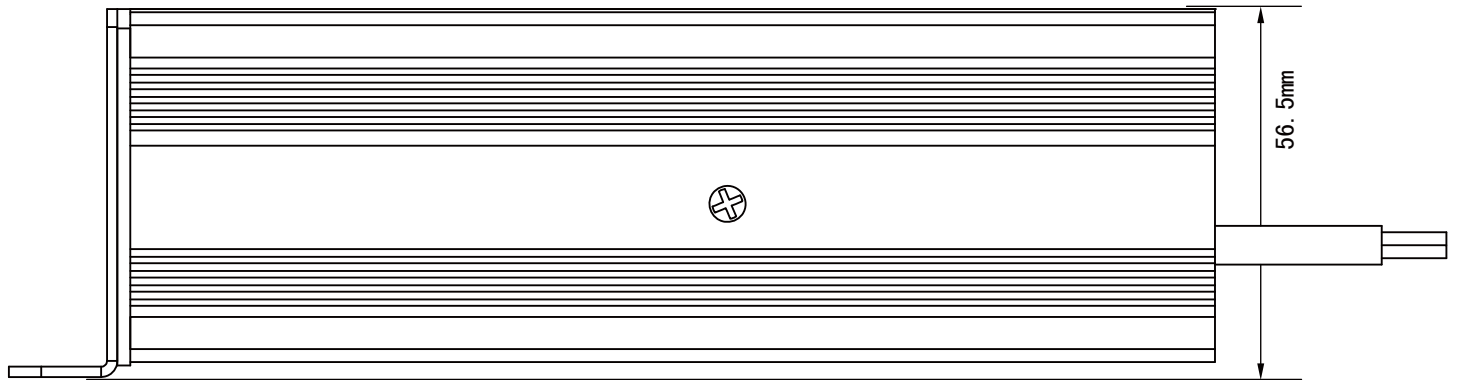
- Constant voltage output
- Protections: Short circuit / Over load
- Designed for outdoor signage , decoration or lighting applications
- Rainproof
- Special heat dissipation design with aluminium housing and hot start ventilating fan
- Safety design with separated line input power cord and low voltage output terminals, preventing electrical shock
- Output voltage adjustable
- 100% full load burn-in test

■ Specification:



MODEL		LHDV-12E200	LHDV-12E250	LHDV-12E300	LHDV-12E350	LHDV-12E400
OUTPUT	DC Output	12V				
	Output Current	16.7A	20.8A	25A	29A	33.3A
	Voltage Tolerance	±5%				
	Rated Power	200W Max.	250W Max.	300W Max.	350W Max.	400W Max.
	Ripple Noise	200mV P-P				
	Setup Rise Time	1000ms/220V				
INPUT	Input Voltage	220V±15%				
	Frequency Range	47 ~ 63Hz				
	Efficiency	83%	83%	85%	85%	85%
	AC Current	≤1.78A	≤2.23A	≤2.67A	≤3.12A	≤3.57A
	AC inrush current(max.)	65A@230VAC				
PROTECTION	Over Load	105%-120% rated power ,				
		Protection Type:auto-recovery ,after fault condition is removed				
	Short Circuit	Protection Type:recovery automatically after fault condition is removed				
ENVIRONMENT	Operating Temperature	-25°C ~ +40°C				
	Operating Humidity	5% ~ 95%				
	Storage Temperature	-35°C ~ +65°C				
SAFETY & EMC	EMC	EN 55015 : 2006+A2 : 2009 ; EN 61547 : 2009 ; EN 61000-3-2 : 2006+A2 : 2009 ; EN 61000-3-3 : 2008				
	Withstand Voltage	I/P-FG:1.5KV AC I/P-O/P:3.0KV AC				
OTHERS	Dimension(mm)	185.5x112.5x56.5				
	Packing Dimension(mm)	400x328x260				
	Packing Weight(Kg)	20PCS/15				

■ Dimension:

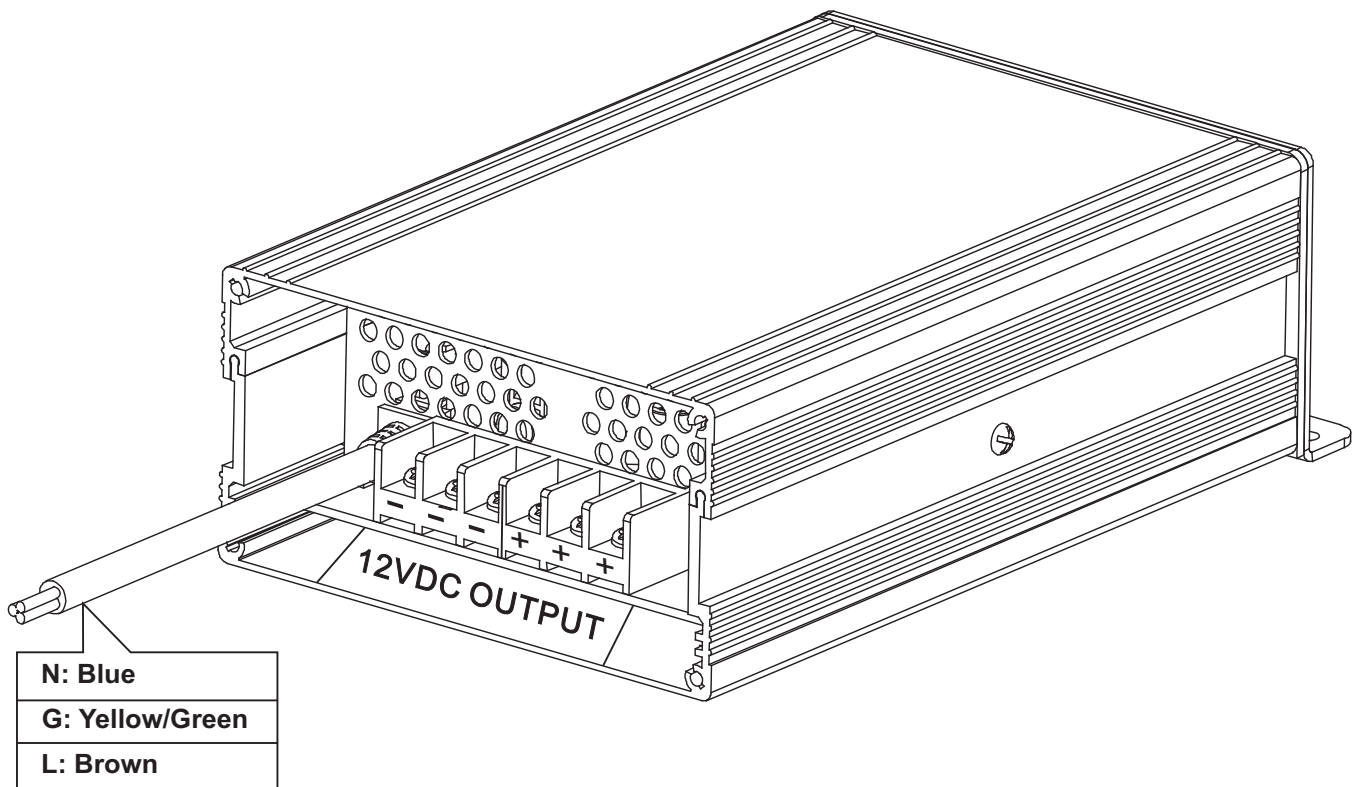


Model: LHDV-12E200
LHDV-12E250
LHDV-12E300
LHDV-12E350
LHDV-12E400

■ Wiring Diagram:

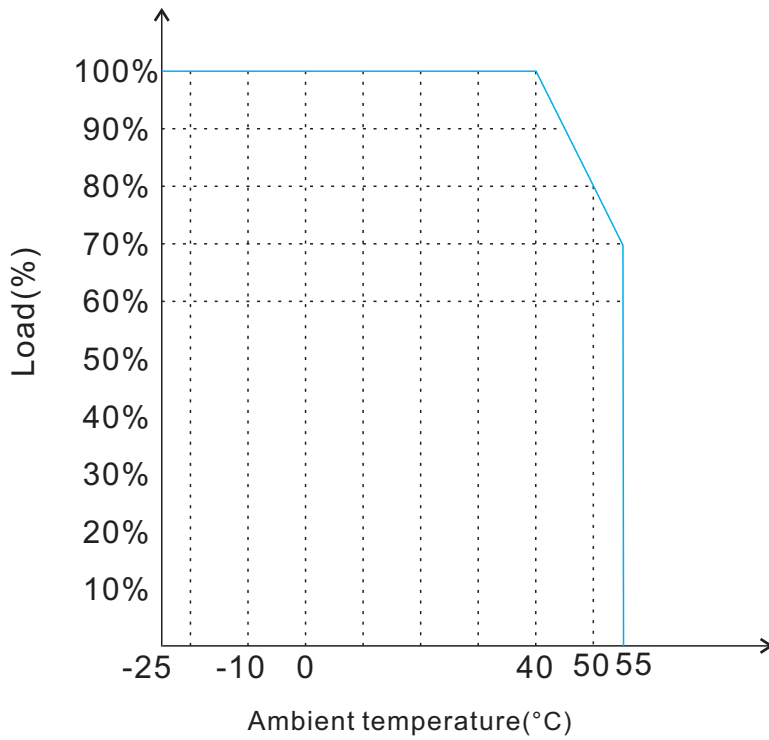
CAUTION

The product **MUST** be installed vertically and the wiring terminals downwards.



Model: LHDV-12E200
LHDV-12E250
LHDV-12E300
LHDV-12E350
LHDV-12E400

■ Derating Curve:



*NOTE: Start-up possible for 220VAC

■ Static Characteristic Curve:

