

The power behind your lights



www.prolitetrans.com



Model: JLV-12400KB Size: 231*153*65mm



Brief Information

Powermax™
Technology Inside

400W

Rainproof Power Supply (C.V.)

Model JLV-12400KB / JLV-24400KB

Input 170~250V AC

Output 12VDC 33.3A 400W / 24VDC 16.67A 400W

Product Features

- Rainproof, big wattage for outdoor use
- High transfer efficiency
- Wide input range
- Stable constant voltage output
- 100% full loading, 100% burn-in tested
- Overload/short circuit protection

MAIN
ELECTRICAL
DATA

AC Input

Input Voltage	100~250V
Input Frequency	50/60Hz
Efficiency (Typ.)	83%
Input Current	230V: 3.2A max.
Inrush Current	40A
Leakage Current	5mA/230VAC

DC Output

Output Voltage	12V	24V
Rated Current	33.3A	16.67A
Rated Power	400W	400W
Ripple & Noise (Max.)	<200mVp-p	<200mVp-p
Setup, Rise Time	300ms/120VAC	300ms/120VAC
Line Regulation	2%	2%
Load Regulation	2%	2%

Service Environment

Working Temp.	-25°C~50°C
Working Humidity	20~95%RH
Storage Temp.	-40°C~80°C
Storage Humidity	10~95%RH

Packaging Information

Product Dimension	231*153*65mm
Products Net Weight	1300G
PCS/Carton(QTY)	10 PCS
Master Carton Size	41.5*24.7*34.6cm
G. Weight/ Carton	15KG

Protection

Overload	Yes, Cut-off mode Output shuts down if over-loaded
Short Circuit	Yes, output shut down, recovers automatically after fault condition is removed

Safety

Safety Standard	EN 61347-2-13
Withstand Voltage	I/P-O/P: 1500VAC/1min/<5mA
Isolation Resistance	I/P-O/P: >100M Ohms / 500VDC /25°C / 70%RH

Installation Tips:

- Please identify the power supply's input and output before installation.
- Ensure correct output + & - wire connection.
Power on after wire connection is done.
- To avoid voltage drop and loading capacity wasting on the output extension wire, please install the power supply to the loading as near as possible, if must use long extension wires, thicker wires and less loading wattage is required.
- The power supply to be installed at good ventilation and cooling environment.

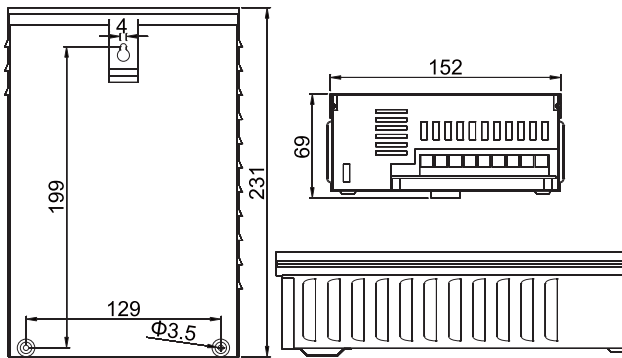
The power behind your lights



www.prolitetrans.com

Physical Drawing

Unit: mm



Brief Information

Powermax™
Technology Inside

400W

Rainproof Power Supply (C.V.)

Model JLV-12400KB / JLV-24400KB

Input 170~250V AC

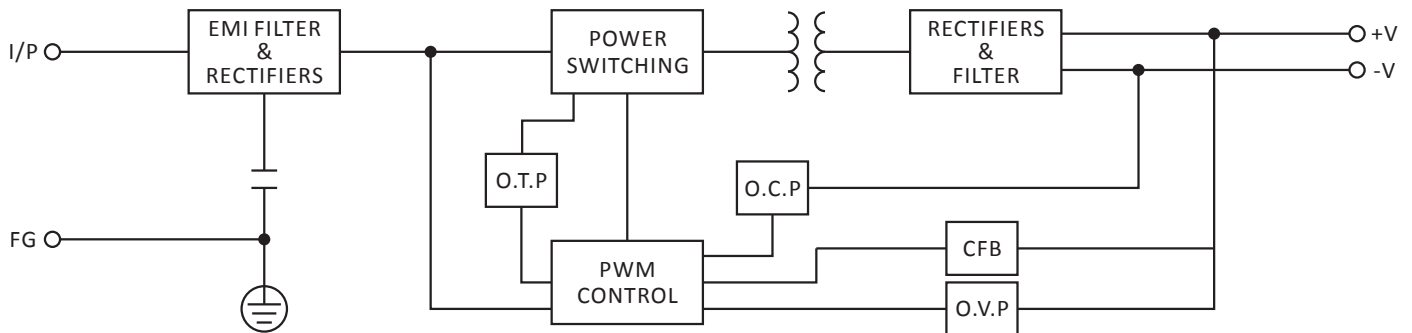
Output 12VDC 33.3A 400W / 24VDC 16.67A 400W

Input & Output:

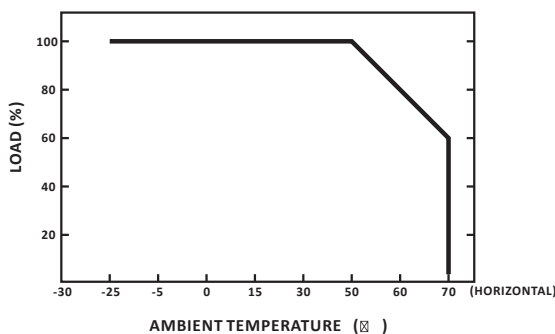
9500-9P Screw Terminals With Cover
inflamming retarding

Housing: Painted Iron

Block Diagram



Derating Curve



Static Characteristics

