

High Voltage LED Rigid Bar



Features

- Adopts 9V 2835SMD LED
- Wide Input voltage: 90-265V
- High Power Factor: PF0.93~0.97
- Each piece cuttable
- Slashes maintenance costs
- Curtain design, easy installation with screw
- Integrated power supply eliminates separate drivers
- Pre-drilled holes and industrial-grade mounting tape
- Available in 9 LEDs/30cm, 18LEDs/60cm, 27LEDs/90cm, 36LEDs/120cm

Application

Light box , sign board 12-20cm thickness signage

High Voltage LED Rigid Bar

Parameters

Code Name	YA2 2.0-0309	YA2 2.0-0618	YA2 2.0-0927	YA2 2.0-1236
Color	white			
CCT (K)	4000K, 6500K, 9000K			
View Angle	112			
Luminous Flux	225lm	450lm	675lm	900lm
CRI Ra	75			
Light Efficiency (Lm/W)	75	75	75	75
Voltage	90-265 VAC			
Power (W/pc)	3	6	9	11
Standard Serial Connection Qty (pcs)	160	80	50	40
Dimension (mm)	306*45.4*17.5mm	596*45.4*17.5mm	886*45.4*17.5mm	1176*45.4*17.5mm
Operating Temperature	-25~+60°C			
Storage Temperature	-25~+70°C			
Protection Class	IP 66			

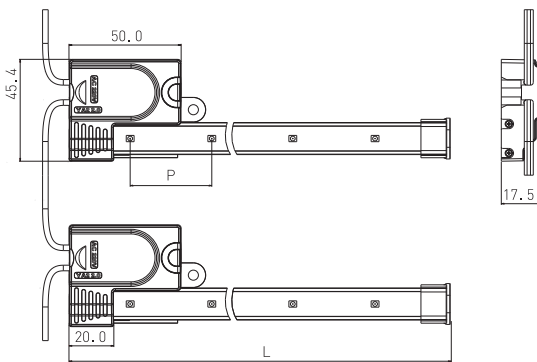
Color Available



4000K 6500K 11000K

Structure Chart

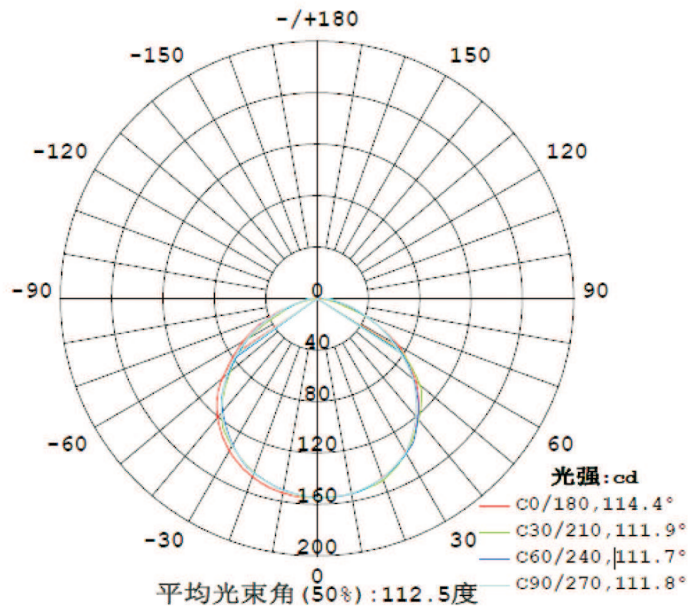
Unit:mm [inch]



YA2 2.0

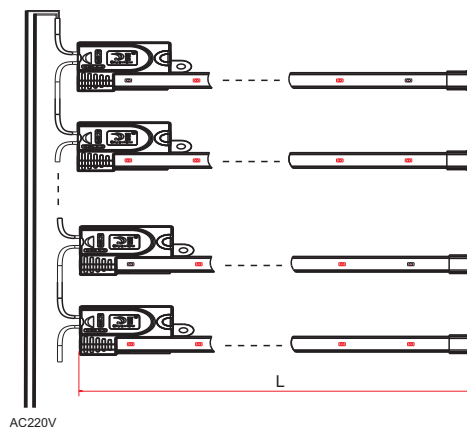
Part No.	Length (mm)	Pitch (mm)	LED QTY (pcs)
YA2 2.0-0309	306 [12.05]	32.2 [1.27]	9
YA2 2.0-0618	596 [23.46]	32.2 [1.27]	18
YA2 2.0-0927	886 [34.88]	32.2 [1.27]	27
YA2 2.0-1236	1176 [34.88]	32.2 [1.27]	36

Luminous Intensity Distribution Diagram



Installation

Unit:mm[in]

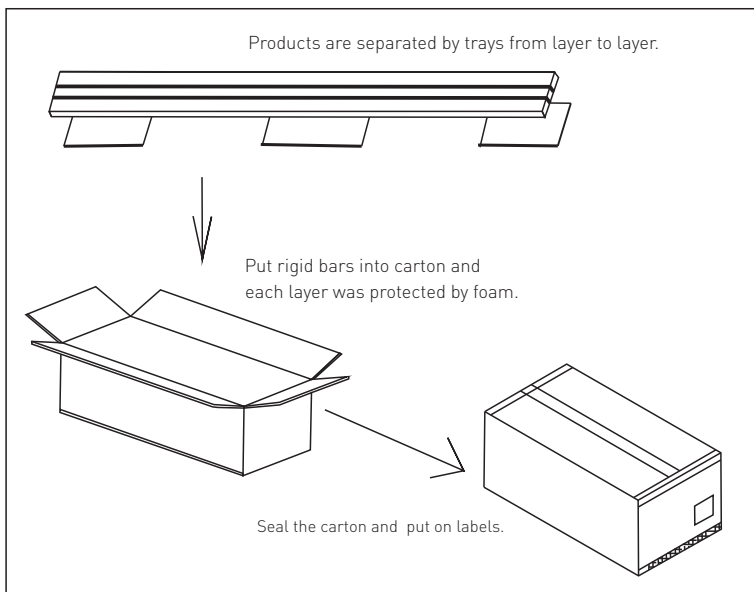


High Voltage LED Rigid Bar

Test Data

Part No.	Sampling	Bottom	Surface material	Depth(cm)	Illumination intensity [Lux]	Installation density [pcs/m ²]	Distance [cm]
YA2 2.0	1	White board	3mm Acrylic sheet	18	3290-3860	6	16.6
	2			15	3830-4510	7	14.3
	3			15	4160-4890	8	12.5
	4			12	4950-5830	9	11.1
	5			12	5160-6070	10	10.0

Package



Part No.	Product Size (mm)	CTN Size (mm)	QTY (pcs)	Net Weight (kg)	Gross Weight (kg)
YA2 2.0-0309	306*45.4*17.5	430*210*240	96	8.53(1±10%)	9.33(1±10%)
YA2 2.0-0618	596*45.4*17.5	730*210*240	96	9.5(1±10%)	10.6(1±10%)
YA2 2.0-0927	886*45.4*17.5	1030*210*240	96	11.0(1±10%)	12.5(1±10%)
YA2 2.0-1236	1176*45.4*17.5	1330*210*240	96	12.5(1±10%)	15.0(1±10%)